

| PUMP DATA | FRONT PUMP | REAR PUMP |
|-------------------------|----------------------|---------------------|
| DISPLACEMENT | 11.0 cm ³ | 6.0 cm ³ |
| MAX. CONT. PRESSURE | SEE VALVE DATA | 220 bar |
| SPEED RATE | 500 min-1 TO | 3500 min-1 |
| MAX. INPUT SHAFT TORQUE | 86 Nm | |
| ROTATION | CLOCKWISE | |

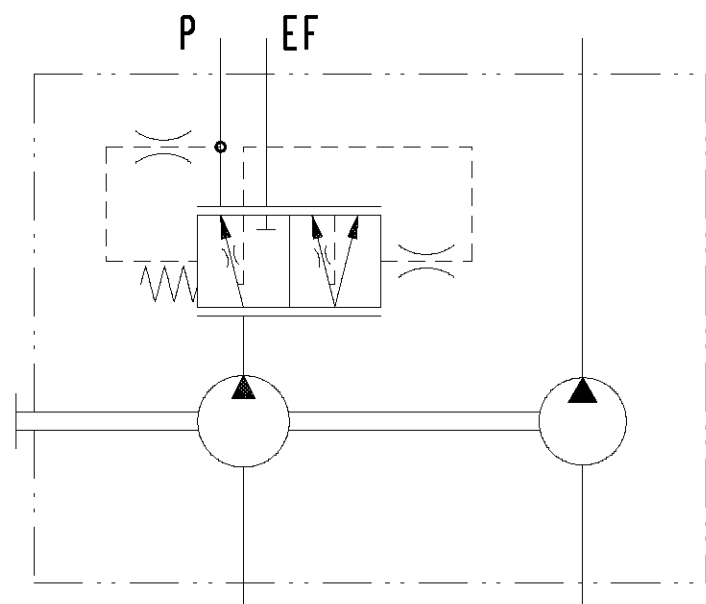
NOTE:

FOR ASSEMBLY INSTRUCTIONS SEE DWG. NO. "511-B1" "PGP511 PUMP ASSEMBLY INSTRUCTIONS".

UNIT IDENTIFICATION (NAMEPLATE)
ON END COVER
OR GEAR HOUSING

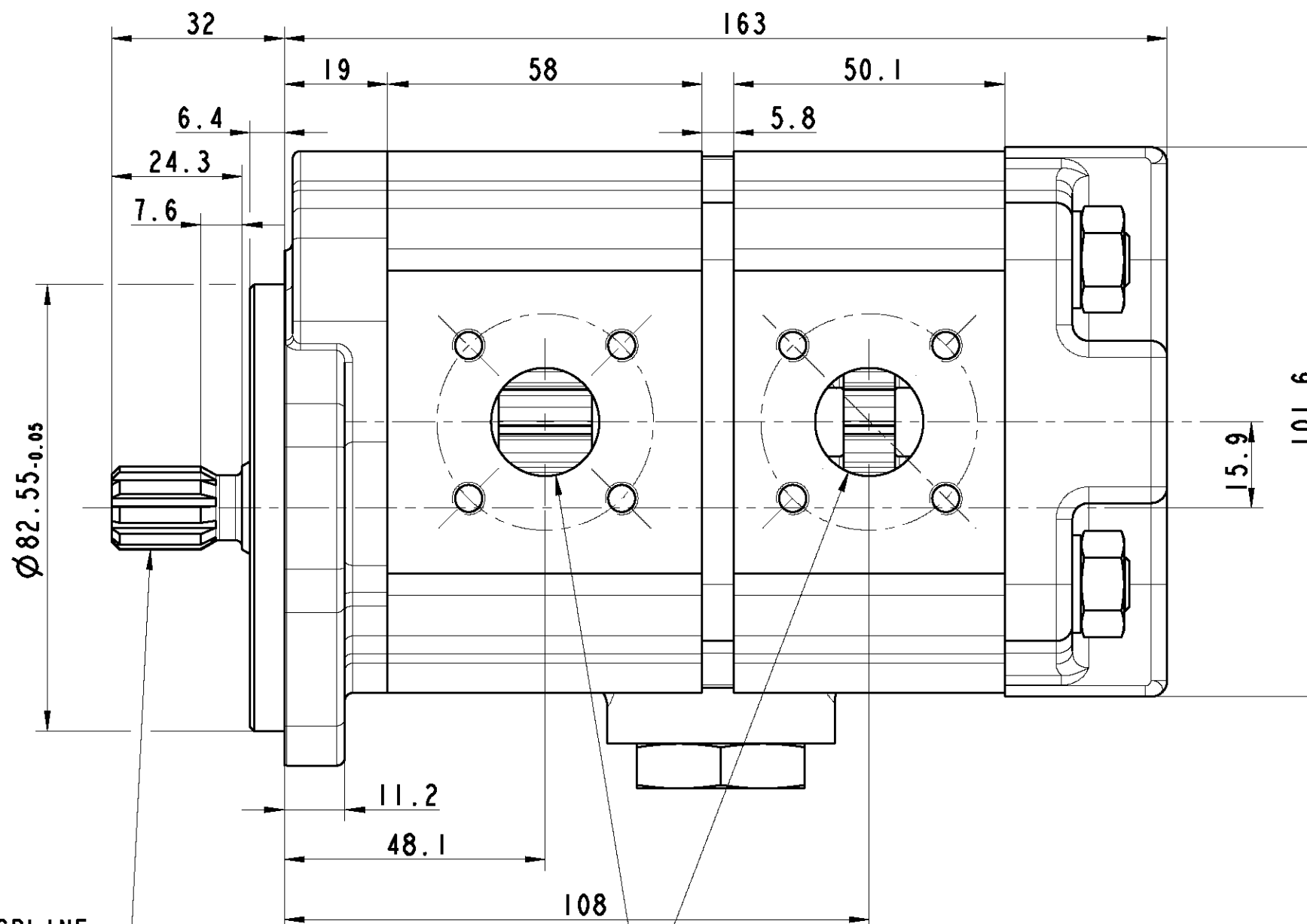
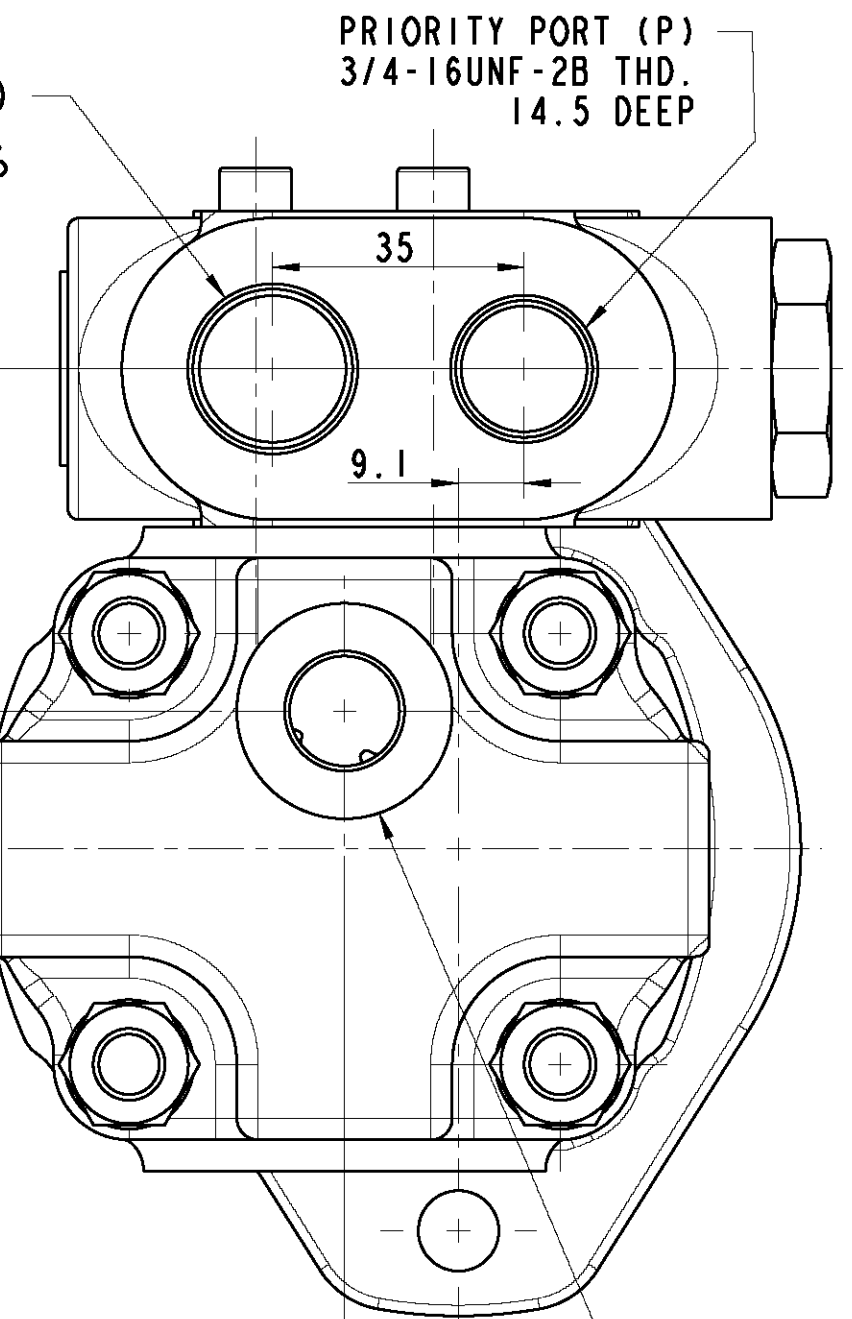
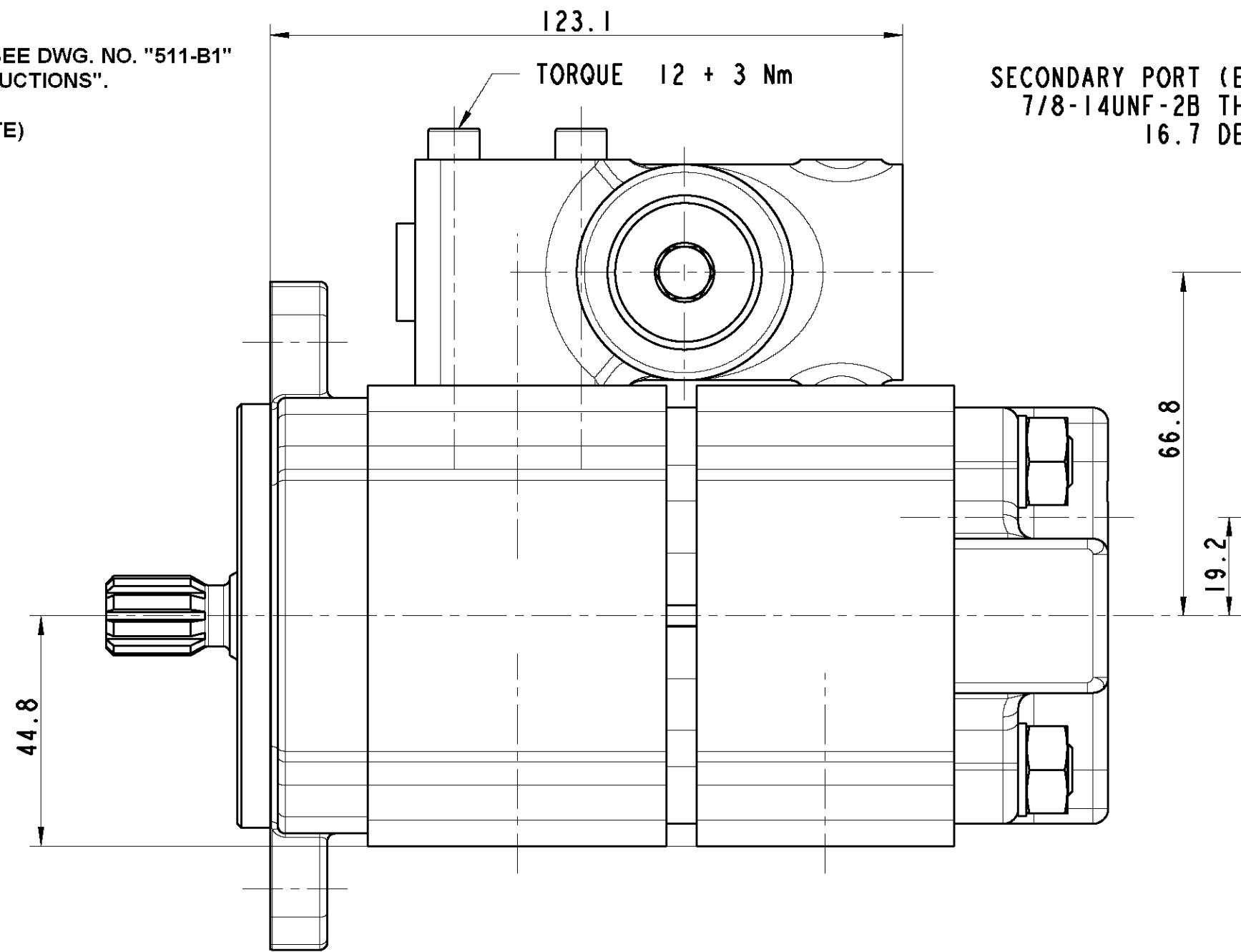
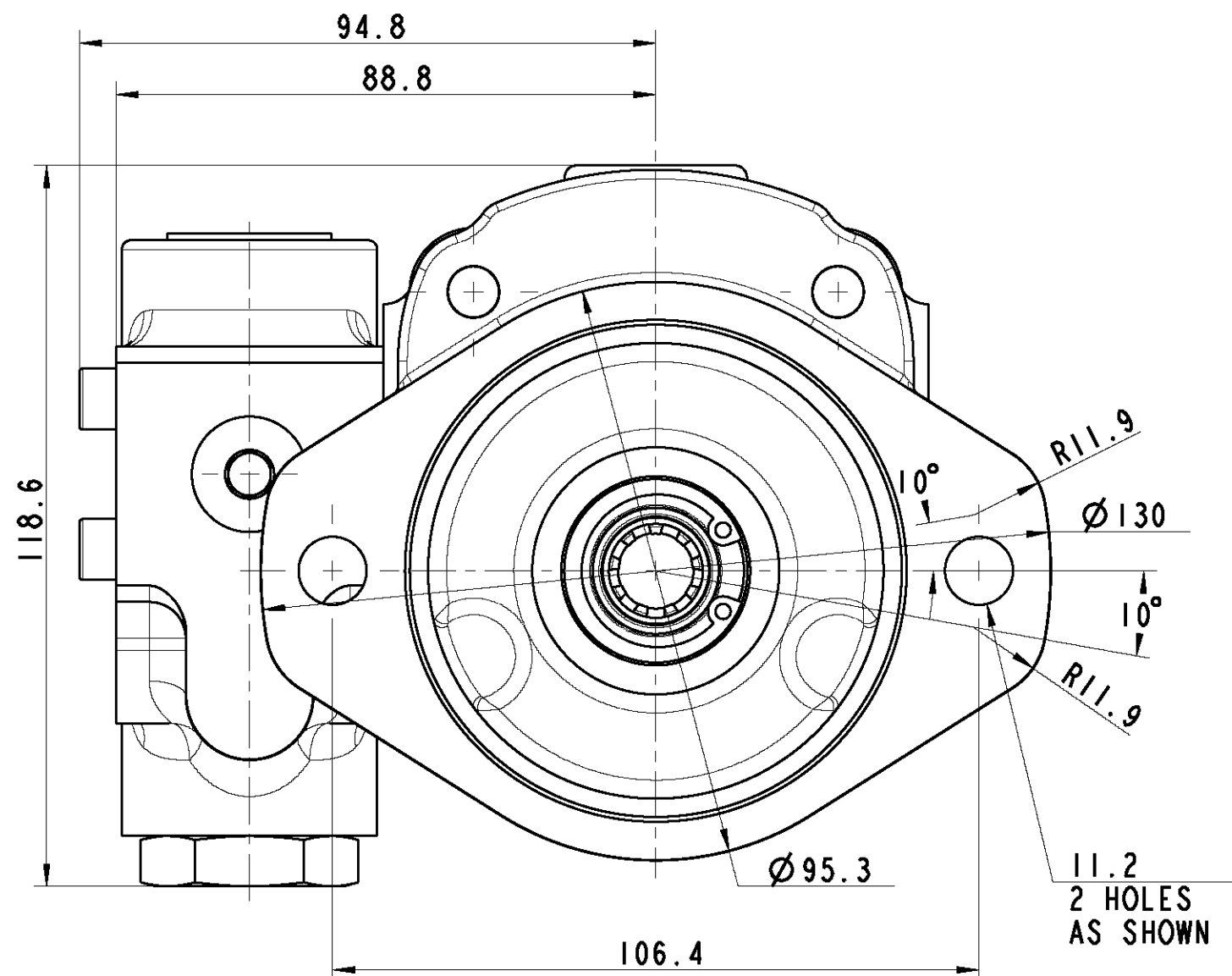
CPN:
5066155

SEAL KIT:
391 1832 770



DOUBLE PUMP WITH COMMON INLET AND
PORT MOUNTED PRIORITY FLOW DIVIDER

PRIORITY FLOW 12 lpm
MAX. PRESSURE AT PRIORITY PORT (P) 140 bar
MAX. PRESSURE AT SECONDARY PORT (EF) 180 bar



3/8"-19 BSP THD.
12.0 DEEP

UNIT COMPLETELY TO BE PAINTED
EXCEPT:
MOUNTING FACE
PORTS
SEAL FACES
NAMEPLATE
COLOUR: BLACK (RAL 9005) SEE ZSS - A1

SAE INVOLUTE SPLINE
9 TEETH - 16/32 DP
FLAT ROOT SIDE FIT
MAJOR DIA. 15.32 - 15.47
MINOR DIA. 12.281 MAX.

20 mm EUROPEAN FLANGE
M6x1-6H THD. 13.0 DEEP
PCD 40 mm - 4 HOLES
2 PORTS

THIS DOCUMENT CONTAINS INFORMATION THAT IS CONFIDENTIAL AND PROPRIETARY TO PARKER-HANNIFIN CORPORATION ("PARKER"). THIS DOCUMENT IS FURNISHED ON THE UNDERSTANDING THAT THE DOCUMENT AND THE INFORMATION IT CONTAINS WILL NOT BE COPIED OR DISCLOSED TO OTHERS OR USED FOR ANY PURPOSE OTHER THAN CONDUCTING BUSINESS WITH PARKER, AND WILL BE RETURNED AND ALL FURTHER USE DISCONTINUED UPON REQUEST BY PARKER. ALL RIGHTS RESERVED.

PGP511B0110CA1H2VJ7J5S-511A0060XJ7B1B1E2+P.M.PFD

| | | | |
|-----------|---------|---------|---------------------------------------|
| MATERIAL | ADM CTR | P | TOLERANCES UNLESS OTHERWISE SPECIFIED |
| H.E.-STD: | REV DTE | 0000000 | = REFERENCE DIMENSION |
| | WT | | DIMENSIONS ARE <u>MM</u> |

| | | | |
|-------------------------------------|---------|-----------|---------|
| Parker Pump & Motor Division | | Chemnitz | |
| DR. BY | DATE | CH. BY | DATE |
| RP | 10OCT11 | JS | 10OCT11 |
| 334 9120 041 | | SCALE 1:1 | |
| © 2011 Parker-Hannifin Corporation | | | |

| | |
|------------------------|----------|
| THIRD ANGLE PROJECTION | |
| EXP NO. | |
| FIRST USED | |
| 11-10-916 | |
| 334 9120 041 | |
| SYM. | REVISION |

Stand: 08/18

c1c2-768